



Features:

- Universal AC input range(85~264Vac)
- Support 1+1 or N+1 redundant system (suggest to use redundancy modules.)
- Built-in active PFC,PF>0.95
- High efficiency up to 94%
- Built-in current sharing function
- Built-in current limiting circuit
- Output protections: OVP/OLP/SCP/OTP
- Wide operating ambient temp (-25℃~70℃)
- 150%(720W) peak load capacity
- Easy Fuse Tripping due to High Overload Current
- Built-in DC OK relay contact
- Can be installed on TS-35/7.5 or TS-35/15
- 100% full load burn-in test
- Suitable for critical applications
- Ultra-slim,70mm width
- Free air convection
- 3 years warranty

UL60950/UL508/CE Approved

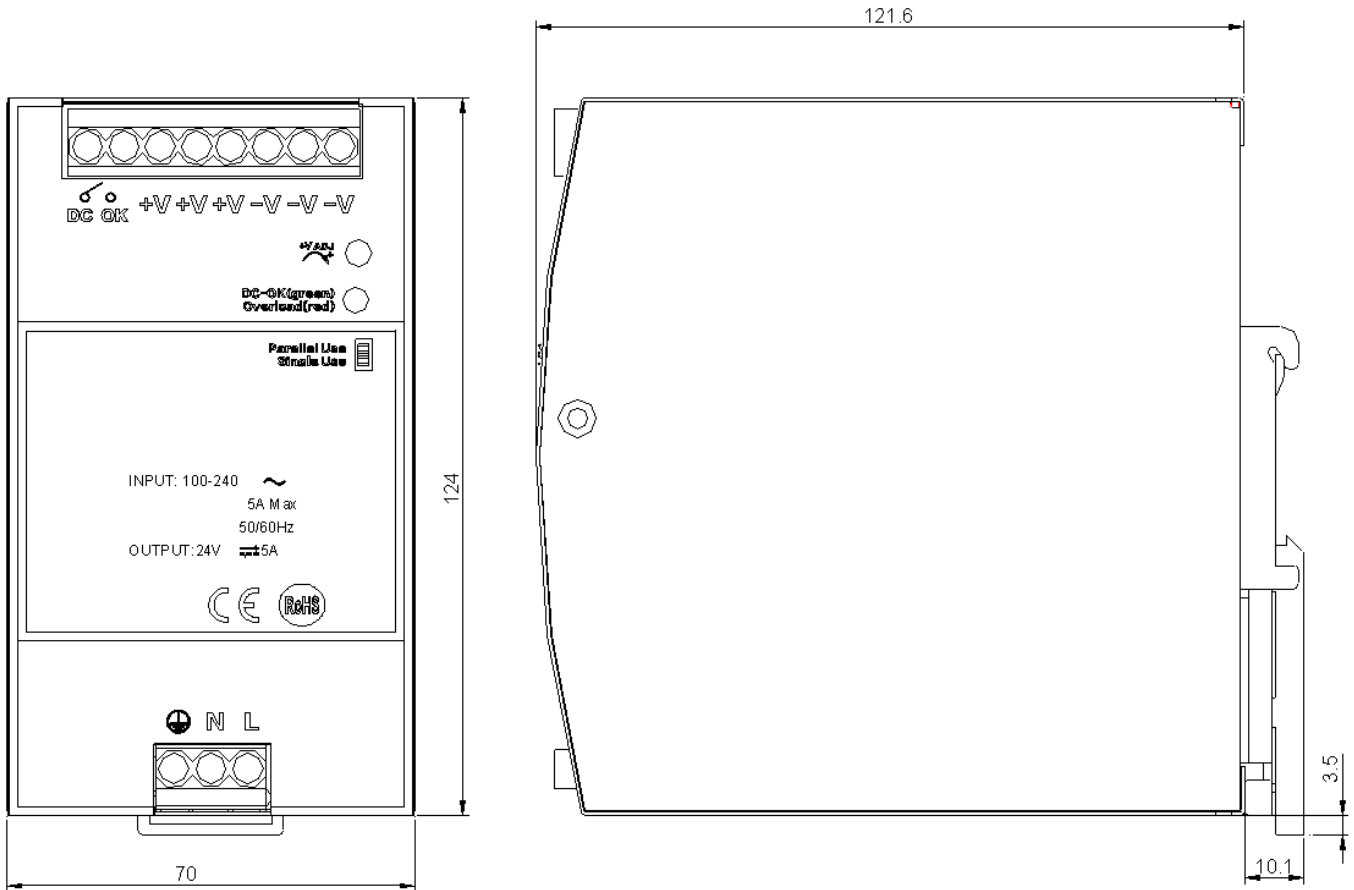
SPECIFICATION

MODEL	DIN-480-24		DIN-480-48	
OUTPUT	DC Output	24V		
	Rated Current	20A		
	Current Range	Note 1	0~20A	0~10A
	Ripple and Noise	0~70℃	≤240mV	≤480mV
		Note 2 -25℃	≤480mV	≤480mV
	Voltage ADJ. Range	24~28V		48-56V
	Voltage Accuracy	±3.0%		
	Line Regulation	±0.5%		
	Load Regulation	±1.0%		
	Set-up Time	<3S@230Vac		
	Hold up Time	≥20mS(230Vac input, Full load)		
	Temperature Coefficient	±0.03%/℃		
	Overshoot and Undershoot	<5.0%		
INPUT	Voltage Range	85Vac~264Vac		
	Frequency Range	47Hz~63Hz		
	Power Factor (typical)	0.99/110Vac	0.95/230Vac	
	Efficiency (Typical)	94%		
	AC Current (max.)	<7A/100VAC, <3.5A/230VAC		
	Inrush Current (Typical)	<20A/110Vac	<40A/230Vac	Cold start
	Leakage Current 25℃	Input—output: ≤0.25mA Input—PG: ≤3.5mA (Input@264Vac, 63Hz)		
PROTECTION	Over Load	110%~150% of rated current, Constant current limiting for some time(150% of rated current, last 3S) then PS stop working for 7S,after 7S,if the load ≤rated current, PS will work normally, auto recovery		
	Over voltage	28.8~33V, constant voltage, Auto recovery		
	Over temperature	105±5℃, detect on heat sink of power transistor; shut down O/P, auto recovery after temperature goes down.		
	Short Circuit	Long-term mode, auto recovery		
ENVIRONMENT	Operating amb. Temp. & Hum.	-25℃~70℃; 20%~90%RH No condensing		
	Storage Temp. & Hum.	-40℃~85℃; 5%~95%RH No condensing		
SAFETY & EMC Note 3	Safety Standards	meet UL508, UL60950, EN60950		
	Withstand Voltage	Primary-Secondary:3.0kVac; ≤10mA .Primary-PG:2.5kVac; ≤10mA. Secondary-PG:0.5kVac≤20mA.		
	Isolation Resistance	≥10M ohms		
	EMC Emission	Compliance to EN55022, EN55024, FCC PART 15 Class B		
	Harmonic Current	Compliance to EN61000-3-2, CLASS A		

	EMC Immunity	Compliance to EN61000-4-2,3,4,5,6,8,11; heavy industry level
OTHERS	MTBF (MIL-HDBK-217F)	More than 300,000Hrs (25°C, Full load)
	Dimension (W*H*D)	70*124*127mm
	Packing	10pcs/CTN, 13Kgs/CTN, 0.04cbm
	Cooling method	Cooling by free air convection
Additional function	Power boost	150% of rated current
	Parallel function	support
	DC-OK	V On: when output voltage is up to 90% of rated output voltage
		V Off: when output voltage is down to 80% of rated output voltage
DC-OK relay contact rating	Max 30V/1A or 60V/0.3A or 30Vac/0.3A Resistive load	
NOTE	<p>1. All parameters NOT specially mentioned are measured at rated input, rated load and 25°C of ambient temperature.</p> <p>2. Measured at 20MHz of bandwidth by using a 12" twisted pair-wire terminated with a 0.1 uF & 10uF parallel capacitor.</p> <p>3. The power supply is considered as a component which will be installed into a final equipment. The final equipment must be re-confirmed that it still meets EMC directives.</p>	

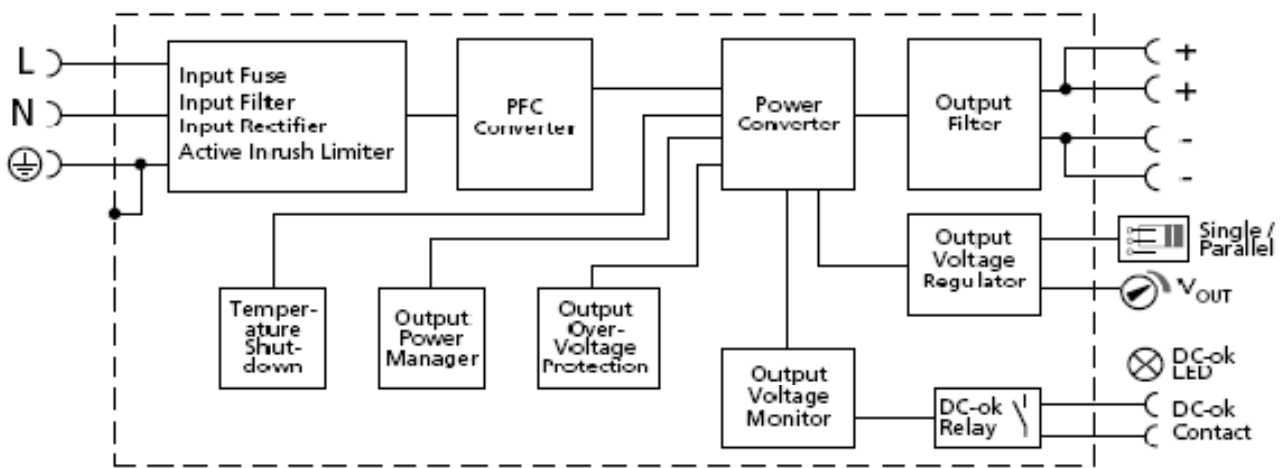
Mechanical Specification

Unit: mm



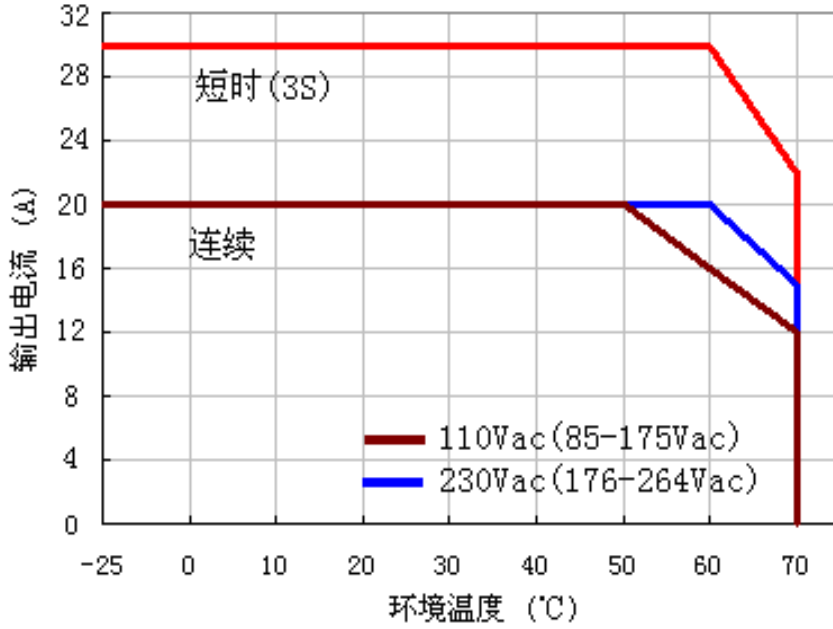
Block Diagram

Fig. 11-1 Functional diagram



Derating Curve

图6-1 输出电流VS环境温度 @24V typ



- short time working,3S
- continuous working