

75 Watt Metal Enclosed, Single Output

INPUT SPECIFICATIONS

All specifications are typical at nominal input, full load.

INPUT SPECIFICATIONS

Input Voltage	90Vac-264Vac, 127~370Vdc
Input Frequency	47Hz- 63Hz
Input Current	<2.5A Max
Protection	Internal Primary Current Fuse Inrush Limiting



OUTPUT SPECIFICATIONS

Output Voltage	See Chart
Efficiency	79-89%
Protection	Over Load Over Voltage Short Circuit
Ripple and Noise	≤80mV - ≤200mV
Hold-Up Time	>20mS (115Vac input, Full load); >50mS (230Vac input, Full load)
Transient Response	0.5mS for 50% Load Change(typ)
Load Regulation	± 2%
Leakage Current	Input-output: <0.25mA Input-PG: ≤ 0.75mA

FEATURES

- No load power consumption <0.5W
- All using 105°C long life electrolytic capacitors
- 100% full load burn-in test
- Suitable for critical applications
- 3 years warranty

ENVIRONMENTAL SPECIFICATIONS

Operating Temperature	-25°C~+70°Cwith derating
Storage Temperature	-40°C~+85°C
Cooling.	Cooling by free air convection
Operating Humidity	20 – 90% RH No condensing
Storage Humidity	10 – 95% RH

GENERAL SPECIFICATIONS

MTBF(MILHDBK-217F)	More than 200,000Hrs (25°C, Full load)
Withstand Voltage	Primary-Secondary 3,0KVac ≤10mA. Primary-PG:1.5KVac; ≤10mA. Secondary-PG:0.5KVDC; ≤10mA
EMI Conduction & Radiation	Compliance to EN55022, EN55024 CLASS B
Harmonic Current	Compliance to EN61000-3-2,-3
EMS Immunity	Compliance to EN61000-4-2,3,4,5,6,8,11; EN55024 heavy industry level
Safety Approvals	UL60950-1 2 ND Ed; IEC 60950-1; 2005(2 ND Ed); EN60950-1:2006

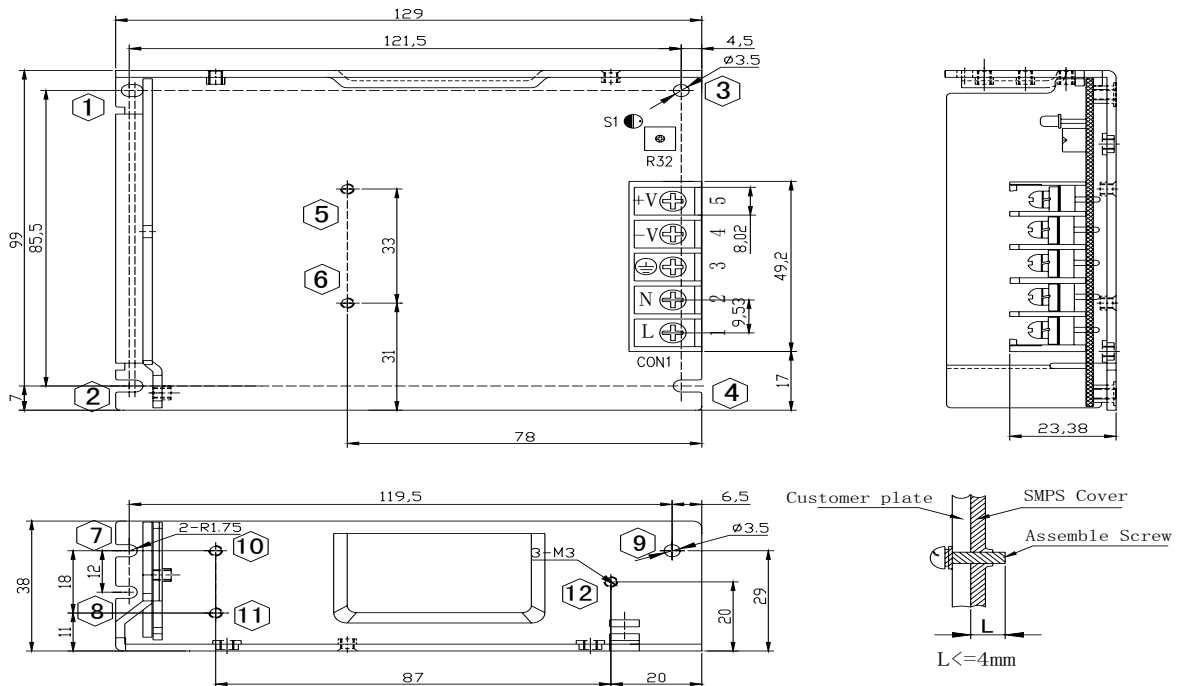
MECHANICAL SPECIFICATIONS

Case Dimension	L129 x W98 x H38mm
----------------	--------------------

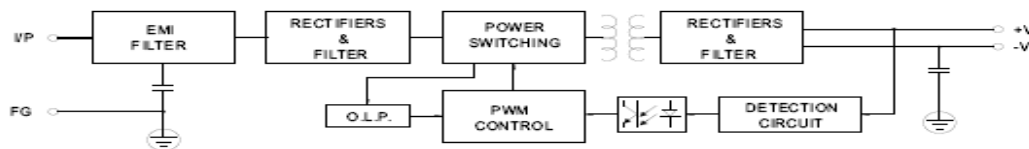
Model Number	Output Voltage	Output Current	Max Output Power
PDN-75-5	5.0V	0~12.0A	60.0W
PDN-75-12	12.0V	0~6.0A	72.0W
PDN-75-15	15.0V	0~5.0A	75.0W
PDN-75-24	24.0V	0~3.2A	76.8W
PDN-75-48	48.0V	0~1.62A	77.6W

Mechanical Specification

Unit: mm



Block Diagram



Derating Curve

