

Features:



- Universal AC input range(85~264Vac)
- Support 1+1 or N+1 redundant system (suggest to use redundancy modules.)
- Built-in active PFC,PF>0.95
- High efficiency up to 91%
- Built-in current sharing function
- Built-in current limiting circuit
- Output protections: OVP/OLP/SCP/OTP
- Wide operating ambient temp (-25℃~70℃)
- 150% peak load capacity
- Easy Fuse Tripping due to High Overload Current
- Excellent Partial Load Efficiency
- Built-in DC OK relay contact
- Can be installed on TS-35/7.5 or TS-35/15
- 100% full load burn-in test
- Suitable for critical applications
- Ultra-slim,32mm width
- 3 years warranty
- **UL60950/UL508/CE Approved**

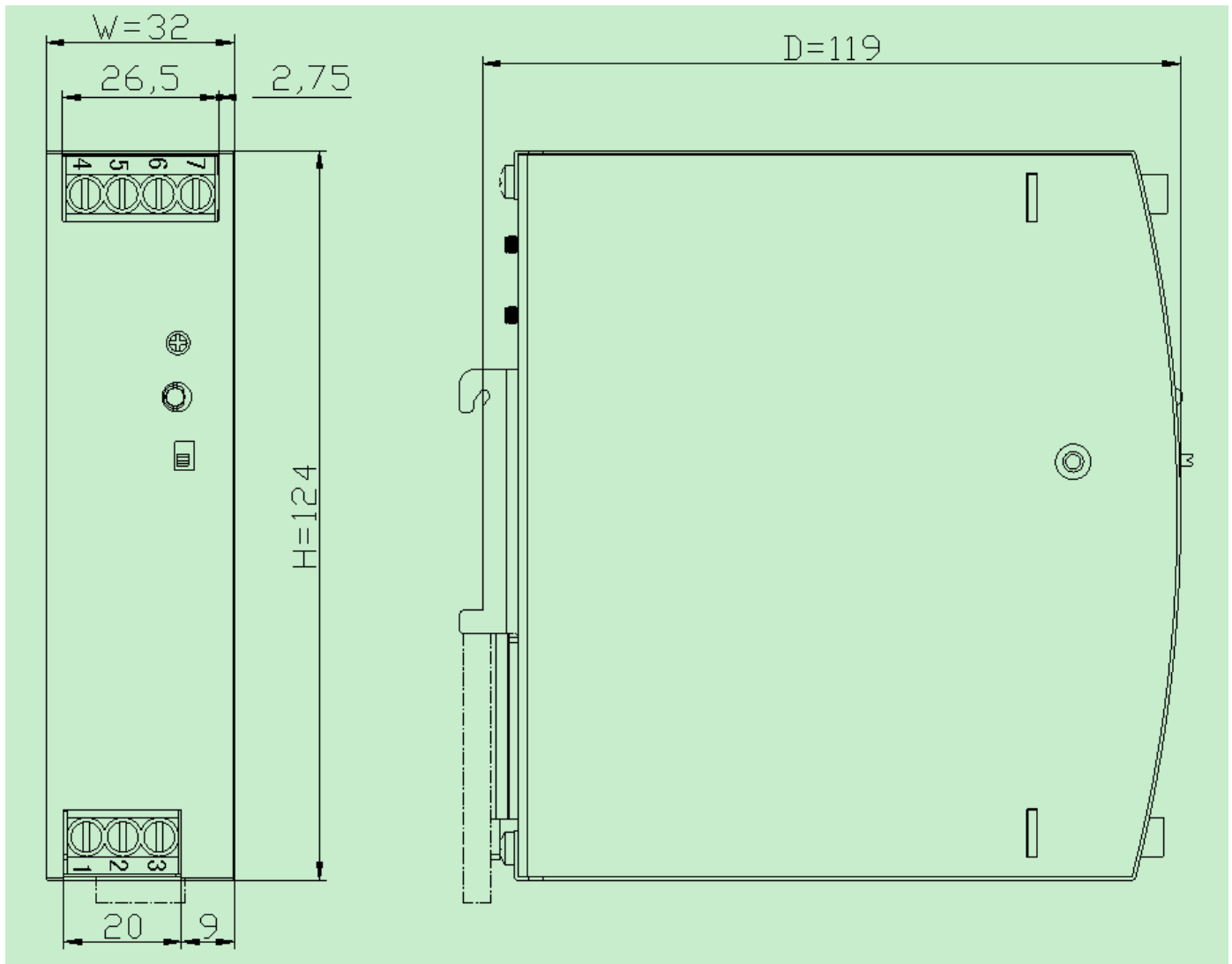
SPECIFICATION

MODEL		DIN-75-12	DIN-75-24	DIN-75-48	
OUTPUT	DC Output	12V	24V	48V	
	Rated Current	6.3A	3.2A	1.6A	
	Current Range	Note 1 0~6.3A	0~3.2A	0~1.6A	
	Ripple and Noise	0~70℃	≤100mV	≤120mV	≤120mV
		Note 2 -25℃	≤200mV	≤240mV	≤240mV
	Voltage ADJ. Range	12~14V	24~28V	48~56 V	
	Voltage Accuracy	±1.0%			
	Line Regulation	±0.5%			
	Load Regulation	±1.0%			
	Set-up Time	<250mS@230Vac ; <500mS@100Vac			
	Hold up Time	≥20mS(230Vac input, Full load)			
	Temperature Coefficient	±0.03%/℃			
Overshoot and Undershoot	<5.0%				
INPUT	Voltage Range	85Vac~264Vac			
	Frequency Range	47Hz~63Hz			
	Power Factor (typical)	0.99/100Vac		0.95/230Vac	
	Efficiency (Typical)	88%	91%	91%	
	AC Current (max.)	<0.95 A/100Vac		<0.45A/230Vac	
	Inrush Current (Typical)	<30A/100Vac		<60A/230Vac Cold start	
	Leakage Current	Input—output:<0.25mA		Input—PG:<3.5mA	
PROTECTION	Over Load	110%~150% of rated current, Constant power limiting for some time(150% of rated current, last 3S) then PS stop working for 7S,after 7S,if the load ≤=rated current, PS will work normally, auto recovery			
	Over voltage	15~18V	29~33V	58~65V	
		Protection type: Hiccup mode, Auto recovery			
	Over temperature	100±5℃, detect on heat sink of power transistor; shut down O/P, Re-power on to recover.			
Short Circuit	Long-term mode, auto recovery				
ENVIRONMENT	Operating amb. Temp. & Hum.	-25℃~70℃; 20%~90%RH No condensing			
	Storage Temp. & Hum.	-40℃~85℃; 5%~95%RH No condensing			
SAFETY & EMC Note 3	Safety Standards	meet UL508, UL60950, EN60950			
	Withstand Voltage	Primary-Secondary:3.0kVac; ≤10mA .Primary-PG:2.5kVac; ≤10mA. Secondary-PG:0.5kVac≤10mA.			
	Isolation Resistance	≥100M ohms			
	EMC Emission	Compliance to EN55022, EN55024, FCC PART 15 Class B			

	Harmonic Current	Compliance to EN61000-3-2, CLASS A
	EMC Immunity	Compliance to EN61000-4-2,3,4,5,6,8,11; heavy industry level
OTHERS	MTBF (MIL-HDBK-217F)	More than 300,000Hrs (25°C, Full load)
	Dimension (W*H*D)	32*124*119mm
	Packing	28pcs/CTN,21.2Kg, 0.04cbm
	Cooling method	Cooling by free air convection
Additional function	Power boost	150% of rated current
	Parallel function	support
NOTE	<p>1. All parameters NOT specially mentioned are measured at rated input, rated load and 25°C of ambient temperature.</p> <p>2. Measured at 20MHz of bandwidth by using a 12" twisted pair-wire terminated with a 0.1 uF & 10uF parallel capacitor.</p> <p>3. The SPS is considered a component which will be installed into final equipment. We cannot guarantee that the final equipment will meet EMC directives, Final product manufactures must be re-confirm that their product meets EMC directives.</p>	

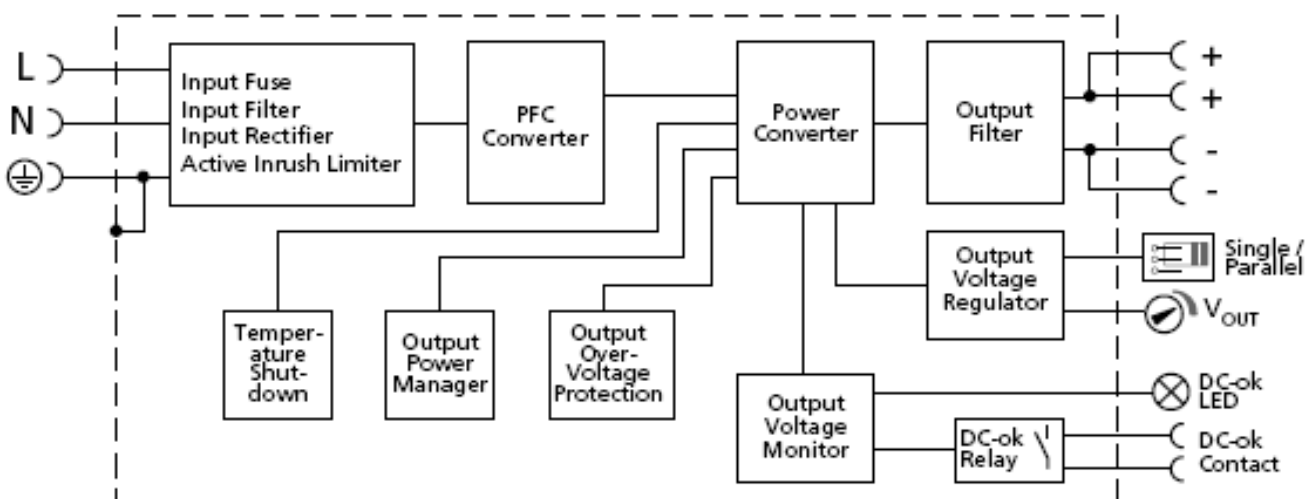
■ Mechanical Specification

Unit: mm



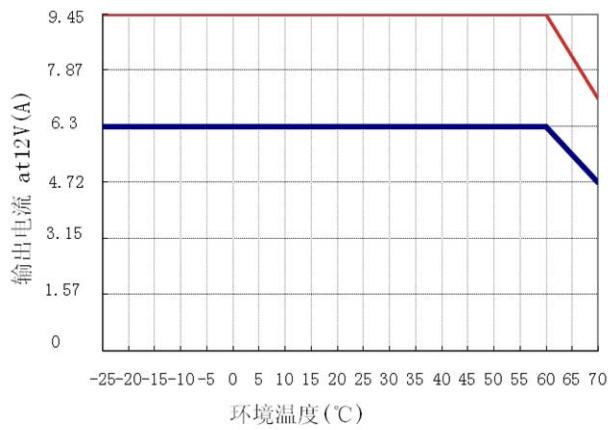
■ Block Diagram

Fig. 11-1 Functional diagram

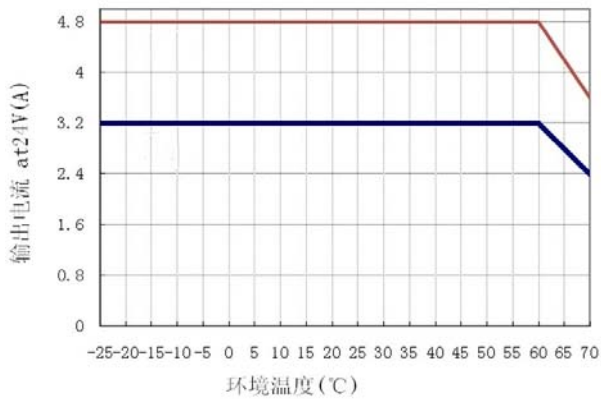


Derating Curve

DIN-75-12

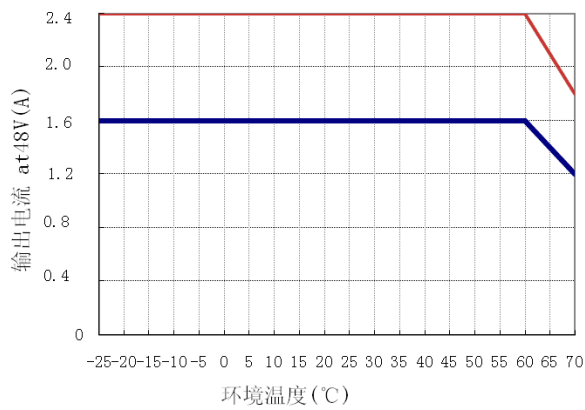


DIN-75-24



DIN-75-48

图6-1 输出电流VS环境温度 at 48V, typ.



 : short time working;
 : continual working.